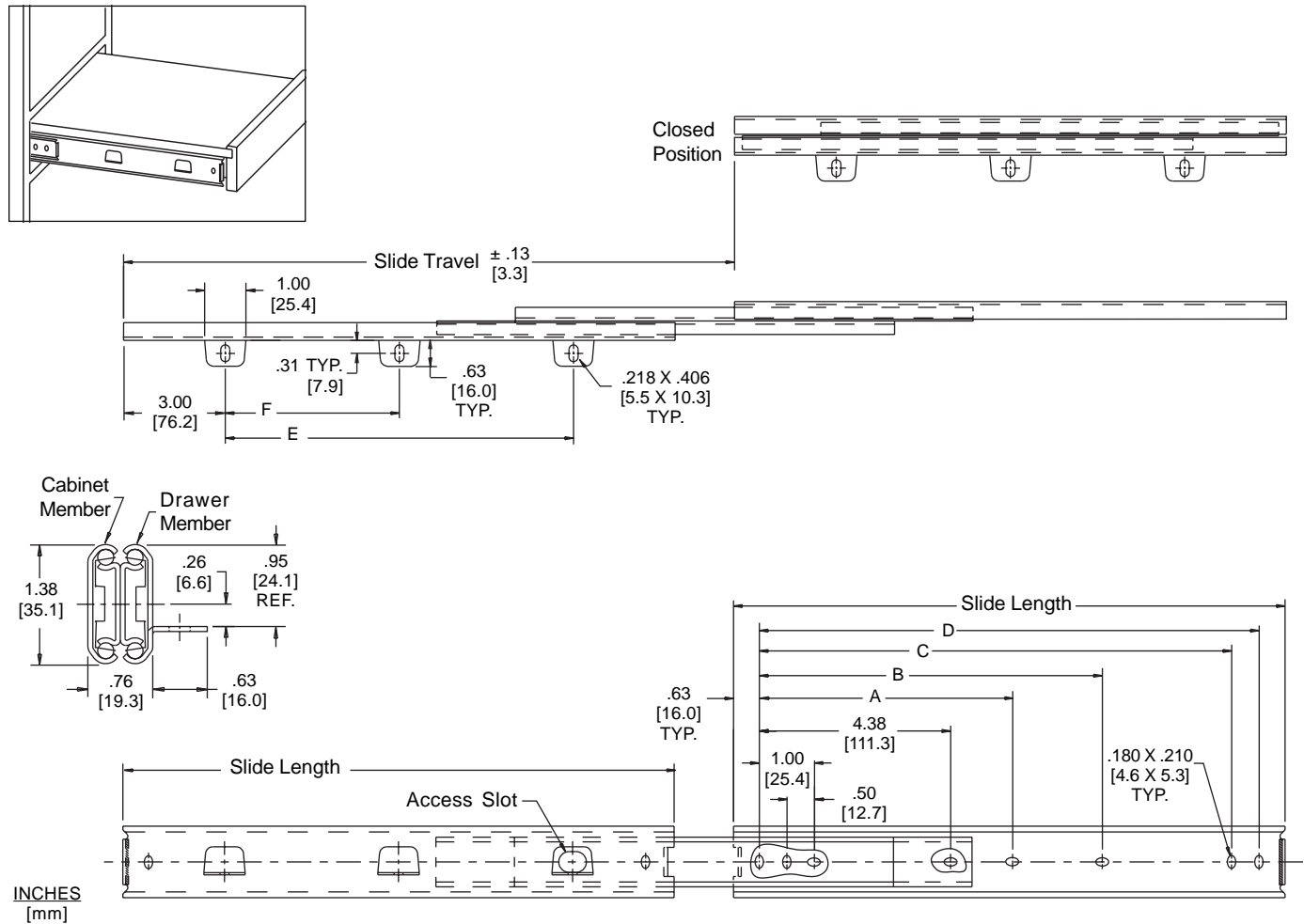


**APPLICATIONS:** Use model 322 whenever a medium duty pull-out shelf is required. For use in kitchen appliance drawers, pan shelves, and entertainment center shelves.

Pull-Out Shelf Slide  
100 lb. [45.5 kg.] Capacity



INCHES  
[mm]

- Finish** Bright electro-zinc (C) or black zinc\* (CB) plating
- Length** 12" to 28" [305mm to 711mm]
- Height** 1.38" [35.1mm]
- Load** 100 lbs. [45.5 kg.] per pair\*\*
- Sidespace** .76" + .030 / - .000  
[19.3mm + .76mm / -.00]
- Travel** Slide length plus .88" [22.4mm]
- Mounting** Outer member tabs
- Hardware** #8 pan head screws
- Features** Silenced open and closed

\* Minimum order quantities may apply.  
\*\* Load rating based on an 18" slide on a 16" wide shelf cycled 10,000 times.

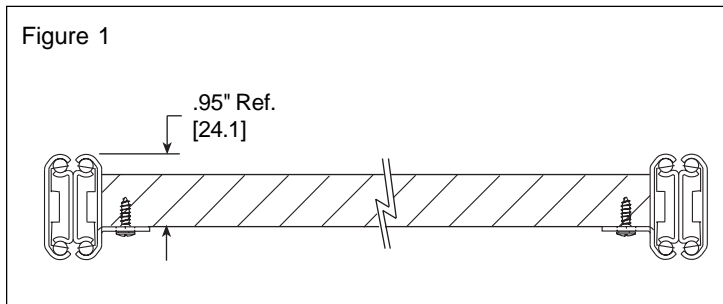
Slide Length	Slide Travel	A	B	C	D	E	F
12.00 [305]	12.88 [327]		5.88 [149.4]	10.25 [260.4]	10.75 [273.1]	6.00 [152.4]	
14.00 [356]	14.88 [378]		7.88 [200.2]	12.25 [311.2]	12.75 [323.9]	8.00 [203.2]	
16.00 [406]	16.88 [429]		9.88 [251.0]	14.25 [362.0]	14.75 [374.7]	10.00 [254.0]	
18.00 [457]	18.88 [480]	8.38 [212.8]	11.88 [301.8]	16.25 [412.8]	16.75 [425.5]	12.00 [304.8]	
20.00 [508]	20.88 [530]	9.38 [238.2]	13.88 [352.6]	18.25 [463.6]	18.75 [476.3]	14.00 [355.6]	
22.00 [559]	22.88 [581]	10.38 [263.7]	15.88 [403.4]	20.25 [514.4]	20.75 [527.1]	16.00 [406.4]	8.00 [203.2]
24.00 [610]	24.88 [632]	11.38 [289.1]	17.88 [454.2]	22.25 [565.2]	22.75 [577.9]	18.00 [457.2]	9.00 [228.6]
26.00 [660]	26.88 [683]	12.38 [314.5]	19.88 [505.0]	24.25 [616.0]	24.75 [628.7]	20.00 [508.0]	10.00 [254.0]
28.00 [711]	28.88 [734]	13.38 [339.9]	21.88 [555.8]	26.25 [666.8]	26.75 [679.5]	22.00 [558.8]	11.00 [279.4]

## Installation Instructions

### Slide Installation

1. Mark a line on both cabinet walls at least 3/4" [19.1mm] above the cabinet floor. Mark a point on these lines 3/4" [19.1mm] back from the fascia or front of the shelf. This provides 1/8" [3.2mm] clearance to the shelf fascia (where used.)
2. From the rearmost horizontal mounting slot of the slide (cabinet member side), measure the distance between it and the frontmost mounting slot. Mark a second point along the cabinet wall line with the equivalent dimension. Drill 3/32" [2.3mm] pilot holes 1/2" [12.7mm] deep at these points and install the #8 screws through the slide cabinet members.
3. Cut shelf 1/8" narrower than distance between slides. Extend slides just far enough to allow access to mounting tabs. Position shelf on tabs 1/8" [3.2mm] forward of slide ends. Mark tab slots on underside of shelf. Drill 3/32" [2.3mm] pilot holes, 1/2" [12.7mm] deep in the center of slot markings. See Figure 1.

Figure 1



### Slide Ordering Instructions

Complete your slide order for Accuride pull-out shelf slide model 322 by specifying the following:

	100 Each	C	322	-12	D
Total Required Slides	_____	_____	_____	_____	_____
Slide Finish	_____	_____	_____	_____	_____
Slide Model	_____	_____	_____	_____	_____
Slide Length	_____	_____	_____	_____	_____
Optional Polybag Packaging - (includes screws)	_____	_____	_____	_____	_____

### Packaging

**Distributor (D) Pack:** Lengths 12" - 28" 5 pair per box  
Individually packaged in polybag with 1 pair of slides and mounting screws.

**Production Pack:** Lengths 12" - 22" 20 each per box  
Lengths 24" - 28" 10 each per box

Right hand slides and left hand slides boxed separately.  
Slides and screws are ordered and packaged separately.

### Specifications

#### Specifications

Slide members and ball retainers: Cold rolled steel  
Ball bearings: Carburized steel

**Note:** Specifications, materials, prices, terms and delivery are subject to change without notice.

# Accuride

ACCURIDE INTERNATIONAL INC.

12311 Shoemaker Avenue  
Santa Fe Springs, CA 90670

TEL (562) 903-0200  
FAX (562) 903-0208  
www accuride.com

Manufacturing, Engineering, and Sales  
United States • Germany • Japan • Mexico • United Kingdom