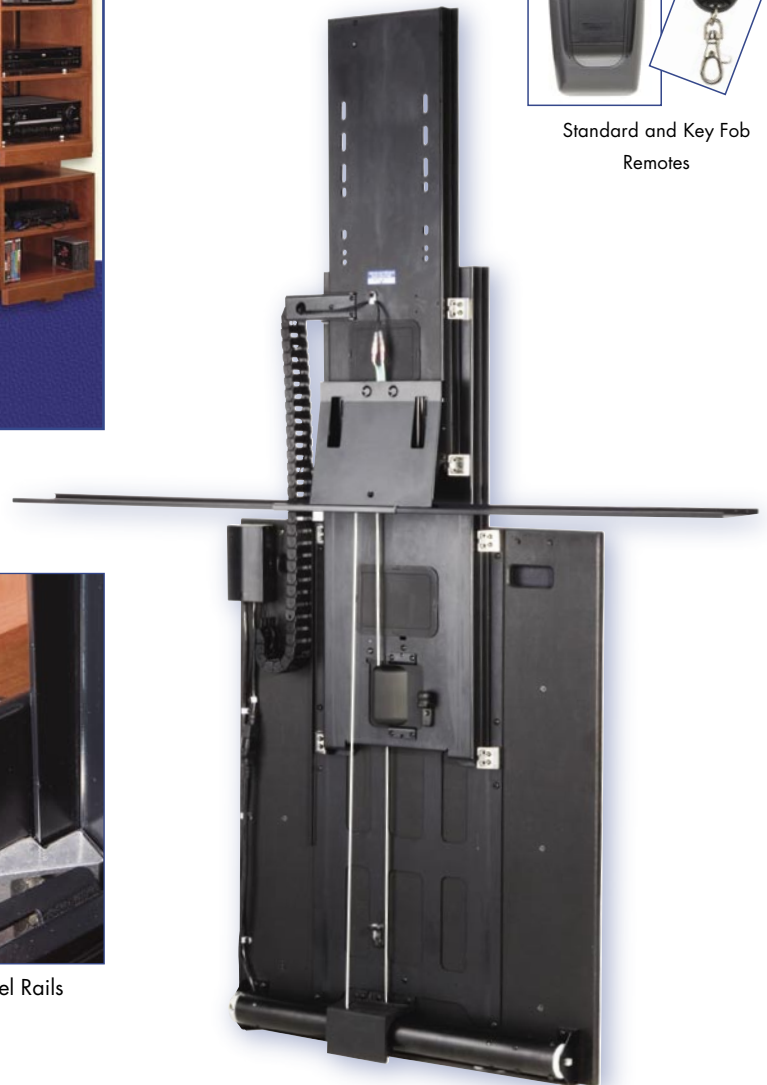


CBLift-050 ***Quick Lift***

- Easy installation
- Holds flat-panel television screens up to 50" diagonal and 33.5" tall
- Auto-reverse and cable management



Standard and Key Fob
Remotes



CBLift-050



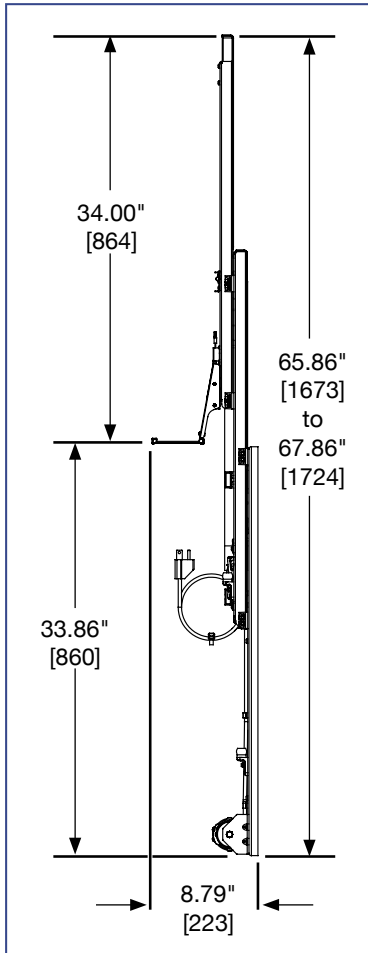
Cable Management



Reinforced Steel Rails

CBLift-050 Quick Lift

Concealing flat-panel televisions in wood cabinetry has never been simpler with the introduction of Accuride's Quick Lift. This remote-controlled device is pre-mounted to a backboard that is easily installed using standard tools.



CBLift-050 Extended - Side Detail

Optional Kits

Replacement Remote Controls
PN# 4180-0654-XE

Fixed Lid Bracket
PN# 4180-0650-XE

Authorized Distributor

Features and Benefits

- **120 lb. load rating.**
- **Accommodates most flat-panel** television screens up to 50" diagonal and 33.5" tall.
- **Fits standard cabinets** 34" tall.
- **Raises to fully extended** position in approximately 15 seconds.
- **Strength and stability** provided by reinforced steel rails.
- **Cabinet design flexibility**—Minimum cabinet opening 28" wide.
- **Easy installation**—assembly is supplied pre-mounted to a 3/4" thick plywood backboard.
- **Mounting flexibility**—hole and slot pattern allows for maximum adjustability in positioning TV mounting bracket and television.
- **Auto-reverse** technology reverses direction of movement when the reversal deck encounters an obstruction as the lift lowers. This protects the mechanism and television.
- **Remote control systems** provide continuous movement with a single touch. Includes standard- and key fob-sized remotes as well as a manually operated control box.
- **Cable management** keeps wiring clear of mechanism. Wires are simply pushed through an opening into a flexible cage that moves along with the mechanism.
- **UL/CE approved** components.
- **Black finish.**

Accuride

12311 Shoemaker Avenue
Santa Fe Springs, CA 90670
(562) 903-0200 • (562) 903-0208 Fax
www.accuride.com